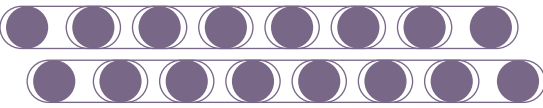




ISO9001:2015



CHAINS AND SPROCKETS >>>>>

FOR SUGAR INDUSTRY

JINQIU CHAIN TRANSMISSION



ABOUT US

公司简介

江苏金球链传动有限公司是全国颇具规模生产输送、传动、曳引以及各种特种、异形、非标链条的基地之一。本公司占地面积 100000 余平方米，固定资产 8000 余万元。目前已形成年产链条 300 余万米的生产能力，并具有大型冲压、冷轧、精加工、热处理等生产设备和各种检测仪器 600 余台套，公司产品远销欧洲、美国、日本、加拿大、南美洲、东南亚、非洲、中东等国家和地区，广泛应用于汽车及工程机械地面总装输送线、涂装输送线，冶金、港口、电力、粮油、建材、矿山、水泥、干燥、石油钻采、烟草、环保、林业、电子、纺织、农业、食品、蔗糖、陶瓷、工程、啤酒灌装、污水处理，沥青、棕榈等机械行业，深受广大用户好评。

本公司技术力量雄厚，生产装备齐全，工艺先进，质控完善。选用优质合金钢材和采用先进热处理工艺加工产品，并建立了全面的质量保证体系，荣获了 GB/T19001-2000 idt ISO9001:2008 认证证书。高品质的“金球”牌链条各项技术指标均符合国家标准〈GB〉、国际标准〈ISO〉，并被评常州市知名商标、常州市名牌产品。公司本着“质量第一、用户至上”的宗旨热忱为国内外客户精心服务。

金球链条特此保证，如果发现我们的产品原材料或工艺上有任何缺陷，此类产品一概免费，如有任何产品在交货后发现与确认图纸或样品不一致的，我司将承担退货、返工或返还已付货款给客户的责任。

Jiangsu Jinqiu Chain Transmission Co., Ltd is one of the national large-scale manufacturers who focus on conveyor, transmission, drag and various special, abnormality, non-standard chains. Our company occupies more than 100,000 square meters, and the fixed asset is more than RMB 80,000,000. Now the annual production capabilities is over 3,000,000 meters, having more than 600 sets of stamping, cold rolling, finish machining, heat treatment production equipments and test instruments etc. Our products are exported to Europe, USA, Japan, Canada, South America, Southeast Asia, Africa, the Middle East and other countries and areas. Widely used in car plant and engineering machinery conveyor line, coating conveyor line, metallurgy, ports, electricity, grain and oil, building materials, mining, cement, drying, petroleum, tobacco, environmental protection, forestry, electronics, textile, agriculture, food, sugar, ceramics, beer filling machinery, Water treatment. Crawler asphalt, palm oil etc. win a high admiration and is widely trusted at home and abroad.

Our company has an abundant technology, completely production equipments, advanced technology and perfect detection methods. Choose high quality alloy steel and adopt advanced heat treatment, and established a comprehensive quality assurance system. It was certified with GB/T19001-2000idt ISO9001:2008. High quality "Jinqiu" brand chains are accord with the National standard〈GB〉 and International standard〈ISO〉 in all technology indexes. And "Jinqiu" were awarded as Changzhou Famous Brand and Changzhou Famous Brand Products. "Quality first, customers first" is our purpose, and we always give our service to domestic and foreign customers warmly and carefully.

JQ Chains hereby certify that if you found any defect in our material or technique of any kind of product, which will be free of charge; if you found any product was inconsistent with the approval drawing or sample after the delivery, we can accept the return or rework of goods and afford any charge about this.





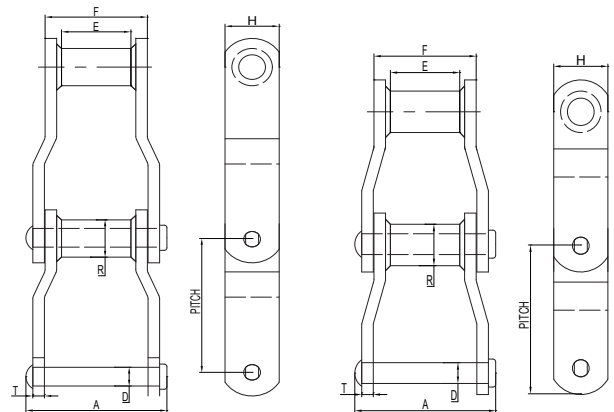
.....
ABOUT US
公司厂房





WELDED STEEL CHAINS FOR FEED & WASHING TABLES

- WR chains have only thru-hardened rivets.
- WH chains have all parts thru-hardened.
- WHX chains have thru-hardened parts and induction hardened rivets as standard.
- Riveted construction is standard. Pin and cottered construction can be furnished on a made-to-order basis.

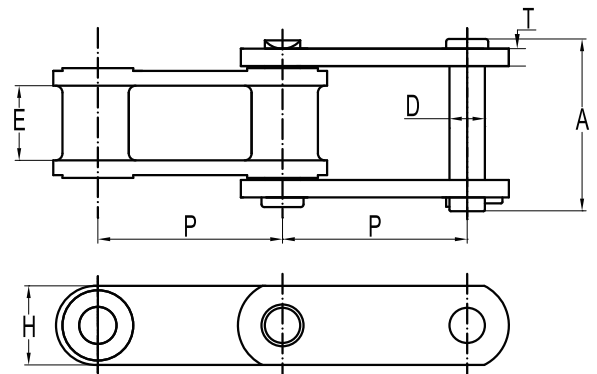
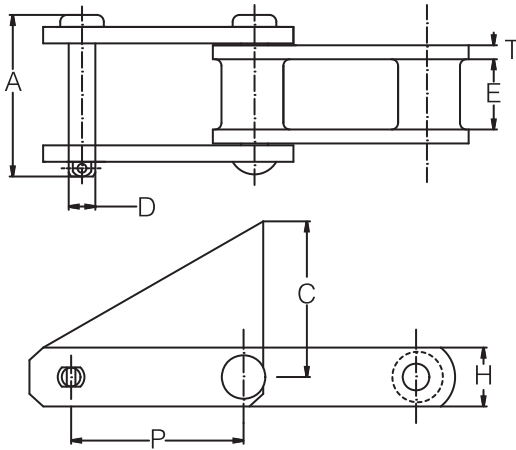


Chain No.	Average Pitch	E(mm)	Sidebar		Pin		Barrel	F (mm)	Min.Ult. Strength (KN)	Avg. Weight chain kg/FT
			T(mm)	H(mm)	D (mm)	A(mm)	R (mm)			
WH78	66.27	25.40	6.40	31.75	12.70	75.00	21.34	51.00	146.80	2.00
WH78XHD	66.95	25.40	9.50	31.75	14.29	82.00	25.40	50.80	163.50	2.80
WH82	78.10	28.58	6.40	31.75	14.29	82.30	25.40	57.15	160.00	2.20
WH82XHD	78.10	28.60	9.70	38.10	19.05	96.50	31.75	60.90	254.00	3.90
WH9103HD	78.11	31.80	9.70	38.10	19.10	92.30	31.80	57.90	287.00	4.00
WH124	101.60	38.10	9.70	38.10	19.05	107.00	31.75	71.40	250.00	3.60
WH124XHD	103.20	38.10	12.70	50.80	25.40	119.50	44.45	76.20	542.00	6.40
WH111	120.90	57.10	9.60	38.10	19.00	123.90	31.70	85.80	254.00	3.64
WH106	152.40	38.10	9.70	38.10	19.05	107.00	31.75	69.85	250.00	3.00
WH720C	152.40	28.58	9.70	38.10	19.05	96.75	31.75	60.32	254.00	2.95
WH110	152.40	47.70	9.60	38.10	19.00	117.30	31.70	76.20	357.00	2.14
WH106XHD	153.67	38.10	12.70	50.80	25.40	120.20	44.45	76.20	542.00	5.60
WH132	153.67	76.20	12.70	50.80	25.40	156.00	44.45	112.30	542.00	6.50
WH132XHD	153.67	76.20	15.88	50.80	25.40	168.86	44.45	118.60	543.00	6.90
WH150	153.67	76.20	12.70	63.50	25.40	156.00	44.50	112.30	620.00	7.40
WH155	153.67	73.20	12.70	63.50	28.40	158.70	41.10	111.20	771.00	8.61
WH157	153.67	76.20	15.90	63.50	29.10	171.00	44.50	117.50	820.00	9.20
WH150XHD	153.67	76.20	15.70	63.50	28.40	171.40	41.10	117.30	920.00	7.98
WH159	155.57	69.85	15.90	76.20	31.75	170.50	50.80	117.50	950.00	11.30

IBR or fully heat treated parts plus induction hardened barrels and rivets.

COMBINATION CHAINS FOR FEED & WASHING TABLES

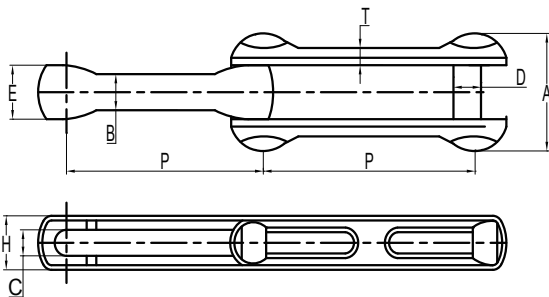
- Combination Chains (C Type & BRH Type)



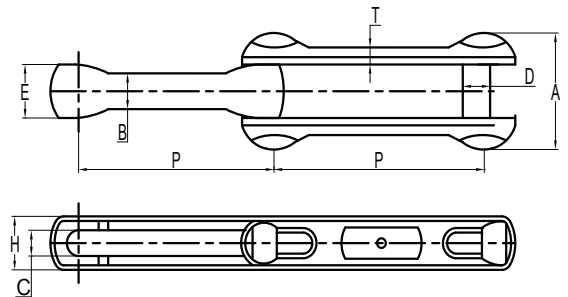
Chain No.	Pitch	E(mm)	Sidebar		Pin		R(mm)	Min.Ult. Strength Q(KN)	Weight KG/FT
			T(mm)	H(mm)	D(mm)	A(mm)			
C55	41.43	17.48	4.75	19.05	9.53	50.03	18.25	57.00	0.91
C77	58.62	17.48	4.75	22.23	11.10	53.59	18.25	67.50	1.04
C188	66.27	23.80	6.35	28.58	12.70	68.32	22.25	84.00	1.63
BRH188	66.27	23.80	5.80	28.58	12.70	--	--	62.30	2.00
C131	78.10	28.50	9.53	38.10	15.88	92.20	31.75	146.30	2.95
C102B	101.60	50.80	9.53	38.10	15.88	113.54	25.40	146.30	3.08
C111	120.90	60.33	9.53	44.45	19.05	130.30	36.50	220.30	4.45
C110	152.40	49.20	9.53	38.10	15.88	113.53	32.51	146.30	2.72
C132	153.67	79.38	12.70	50.80	25.40	165.35	45.21	305.90	6.58

DROP FORGED CHAINS FOR FEED AND WASHING TABLES

- Drop Forged Rivetless chains are typically used as overhead conveyors on automotive assembly lines, paint lines, appliance assembly lines, sugar mills and in the meat packaging industry.
- These chains have no rotating parts, therefore suffer less from the abrasion caused by sand/dirt, that can come into the mill with the cane. All parts are heat-treated and "T" pins ensure positive locking action in the sidebars.



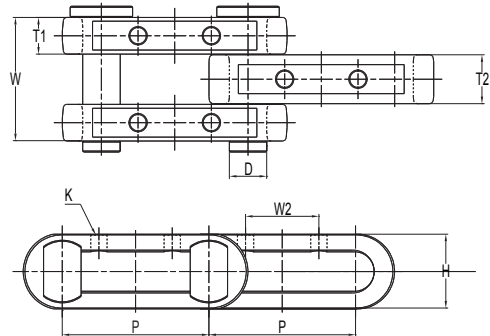
Regular Type



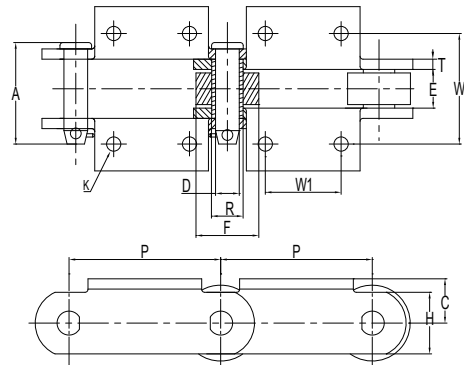
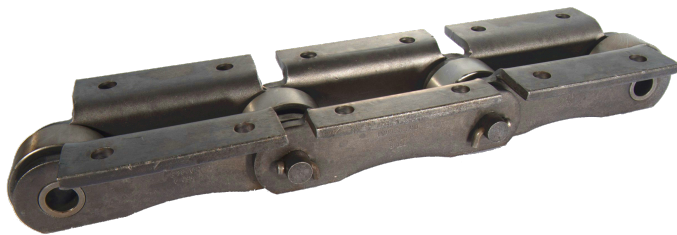
X Type

Chain No	Average Pitch	E(mm)	sidebar		Pin		B(mm)	C(mm)	Min.Ult. Strength Q(KN)
			T(mm)	H(mm)	D(mm)	A(mm)			
468HT	102.39	41.28	11.43	47.75	19.05	84.07	29.51	22.23	311.5
678HT	153.19	33.32	18.29	50.80	22.23	76.96	21.34	25.40	378.3
698HT	153.19	39.67	15.06	68.33	28.58	95.25	26.19	31.75	602.9
998HT	229.39	39.67	8.26	64.01	28.58	98.43	25.40	28.58	602.9
X348	76.99	19.05	10.41	26.92	12.70	44.45	13.21	14.27	106.8
X458	102.39	25.91	12.19	36.58	15.88	55.58	16.76	17.48	213.6
X678	153.19	33.32	18.29	50.80	22.23	76.96	21.34	25.40	378.3

MAIN CANE&AUXILLIARY CARRIER CHAINS



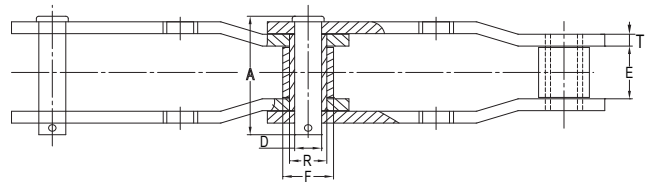
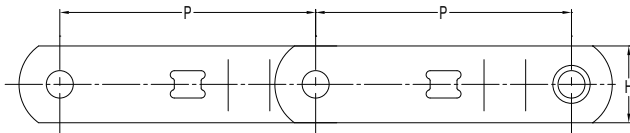
Chain No	Pitch P	Dimension							Weight KG/FT	Ultimate Tensile Q(KN)
		D	H	K	T1	T2	W	W2		
P=6"	152.4	38.9	77.8	17.0	38.1	50.8	128.5	76.2	12.30	1423
P=9"	228.6	38.9	80.0	17.0	40.0	50.0	132.0	95.0	9.58	1423



Chain No	Pitch P	E(mm) min	Sidebar		Pin		Bush	Roller	W(mm)	W1(mm)	K(mm)	C(mm)	Average Ultimate Strength Q(KN)
			T(mm)	H(mm)	D(mm)	A(mm)	R(mm)	F(mm)					
0904	101.6	30.99	7.87	44.45	17.53	81.00	25.40	50.80	88.90	36.58	9.65	31.75	220
09060	152.4	38.10	9.65	50.80	19.05	97.00	28.70	69.85	111.125	76.20	12.70	41.40	270
SS996	152.4	38.10	9.65	50.80	19.05	98.40	28.70	69.85	111.125	76.20	12.70	41.40	315
09061	152.4	38.10	9.65	57.15	19.05	97.00	28.70	69.85	111.125	76.20	12.70	41.40	380
1796	152.4	38.10	9.65	57.15	22.23	99.00	31.75	69.85	111.125	76.20	14.27	41.40	450
1797	152.4	38.10	9.65	57.15	22.23	99.00	31.75	76.20	111.125	76.20	14.27	41.40	450
2178	152.4	39.67	9.525	50.80	22.23	95.23	28.70	69.85	143.10	76.20	14.27	41.40	270
2198	152.4	38.10	12.70	60.45	22.10	112.00	31.75	76.20	111.125	76.20	12.70	41.40	450
09063	152.4	38.10	10.41	60.45	23.88	102.10	31.75	76.20	111.125	76.20	12.70	44.45	630
09065	152.4	38.10	12.70	60.45	26.92	107.89	38.10	76.20	111.125	76.20	12.70	42.93	720
113C	152.4	38.40	12.70	65.00	22.20	111.20	31.75	81.00	111.125	76.20	14.30	45.50	420
SS800R	203.2	45.97	12.70	71.37	25.58	124.00	38.10	88.90	131.83	114.30	16.00	55.60	750
B5513	228.6	61.09	16.00	69.85	31.75	142.62	44.45	107.95	203.20	76.20	19.05	69.85	810
C2630	304.8	69.85	16.00	88.90	35.05	133.60	44.45	101.60	203.20	127.00	17.53	69.85	1350

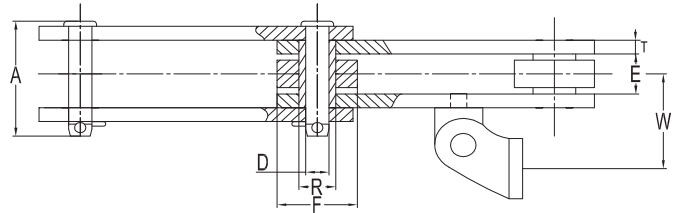
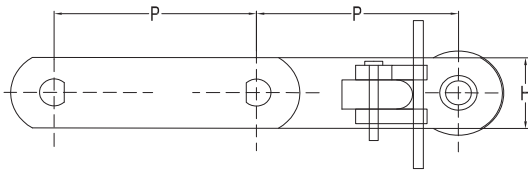
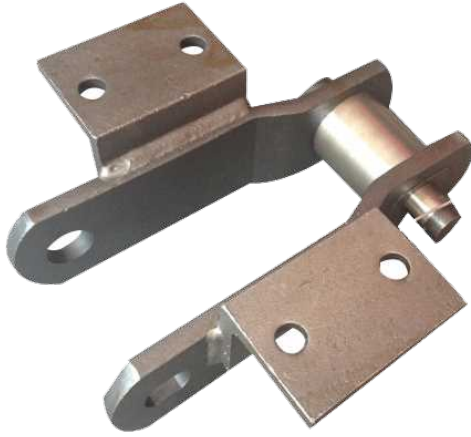
The sidebar can be used Curve Sidebar.

OUTBOARD ROLLER CANE CARRIER CHAINS

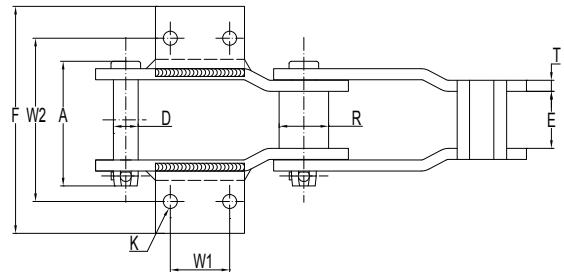
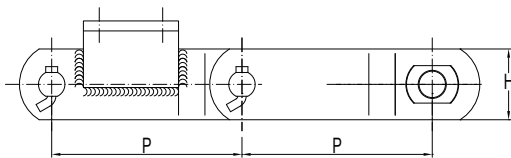


Chain No	Pitch P	E(mm) min	Sidebar		Pin		Bush	Roller	Average Ultimate Strength Q(KN)
			T(mm)	H(mm)	D(mm)	A(mm)			
2397 M14	152.4	55.5	10	63.5	22.2	116.00	31.75	44.5	380
2358 M14	228.6	49.23	12.70	63.50	22.23	154.20	32.20	44.45	472
1707 M14	304.8	76.20	12.70	63.50	25.40	154.76	38.10	57.15	617
2614 M14	304.8	69.85	15.88	88.90	31.75	161.90	44.30	63.50	900
2630 M14	304.8	69.85	15.88	88.90	34.90	162.70	47.75	63.50	980
12220 M14	304.8	70.64	15.88	101.60	38.10	161.44	53.98	79.38	1125
1223 M14	304.8	70.61	15.88	101.60	38.10	195.58	53.98	88.90	1350
2648 M14	304.8	92.20	19.05	101.60	41.40	196.85	82.55	101.60	1575

INTERMEDIATE CARRIER CHAINS

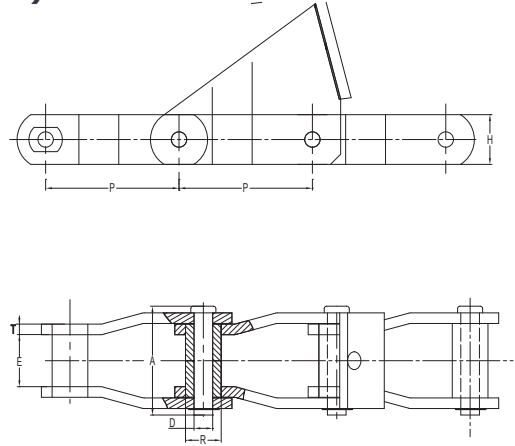


Chain No	Pitch P	E(mm) min	Sidebar		Pin		Bush R(mm)	Roller F(mm)	W(mm)	Average Ultimate Strength Q(KN)
			T(mm)	H(mm)	D(mm)	A(mm)				
1131	152.4	39.63	9.53	50.80	19.05	99.00	28.60	76.20	66.00	209
09060	152.4	38.10	9.65	50.80	19.05	97.00	28.70	69.85	88.90	270
09061	152.4	38.10	9.65	57.15	19.05	97.00	28.70	69.85	88.90	380
09063	152.4	38.10	10.30	61.90	23.83	102.10	31.75	76.20	100.00	630
1796	152.4	38.10	9.65	57.15	22.23	99.00	31.75	69.85	88.90	450
2198	152.4	38.86	12.70	57.15	22.35	112.00	31.75	76.20	99.31	450



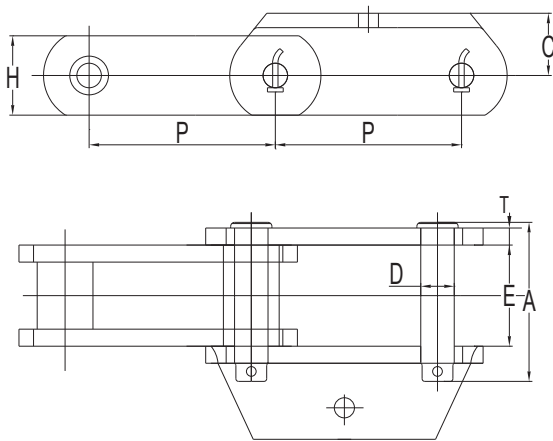
Chain No	Pitch P	E(mm)	Sidebar		Pin		Bushing R(mm)	W1(mm)	W2(mm)	F (mm)	K(mm)	Average Ultimate Strength Q(KN)
			T(mm)	H(mm)	D(mm)	A(mm)						
C84	228.60	73.00	14.28	82.06	31.75	160.00	38.00	76.20	209.55	291.31	18.00	1112.00
C69	304.80	69.85	15.88	101.60	35.24	163.00	42.00	106.90	209.60	295.00	20.00	1350.00

INTERMEDIATE CARRIER CHAINS (FG ATTACHMENTS)

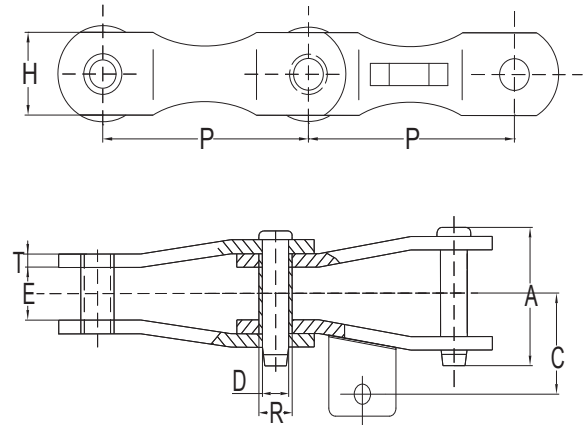


FG ATTACHMENT

Chain No	Pitch P	E(mm) min	Sidebar		Pin		Bush	C(mm)	Average Ultimate Strength Q(KN)
			T(mm)	H(mm)	D(mm)	A(mm)	R(mm)		
5002 FG35 E4P	153.67	50.80	13.00	64.00	25.27	127.00	50.80	141.00	400
5025 FG36 E4P	152.4	50.80	12.70	76.20	25.27	127.00	50.80	146.30	520
SS9957SJ	152.4	38.90	12.70	82.60	25.40	56.13	44.50	120.14	445



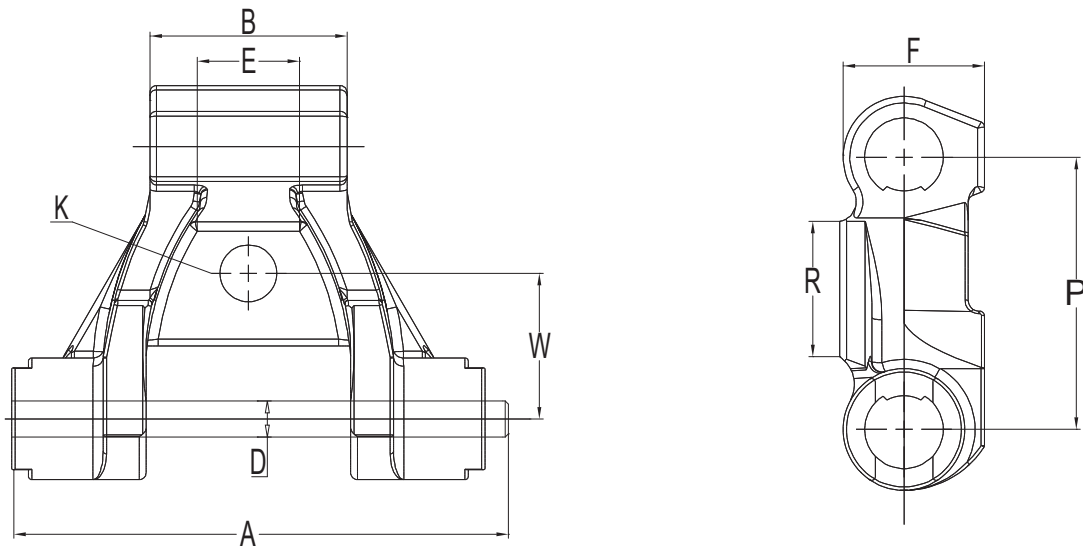
SS9957SJ



Chain No	Pitch P	E(mm) min	Sidebar		Pin		R(mm)	C(mm)	Weight KG/FT	Min. Ult Strength Q(KN)
			T(mm)	H(mm)	D(mm)	A(mm)				
32949	203.20	46.0	12.7	80.0	25.4	122.0	38.1	95.0	10.66	588

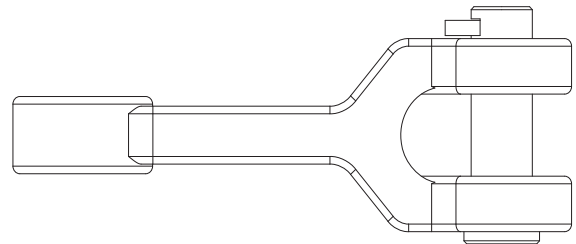
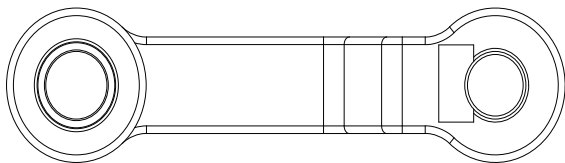
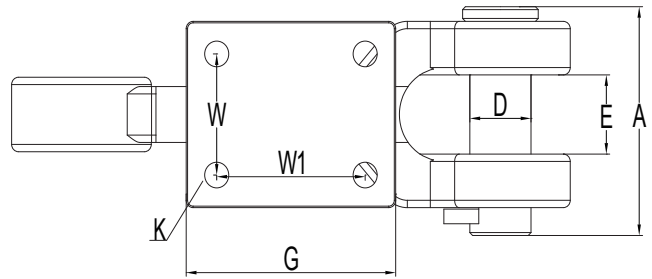
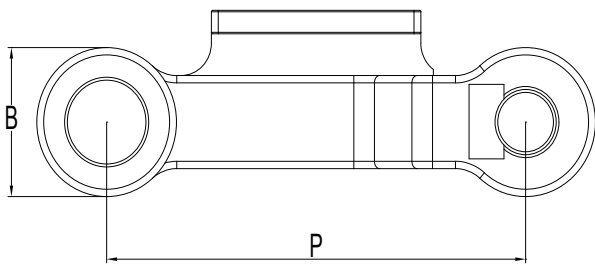


INTERMEDIATE CARRIER CAST LINK CHAINS



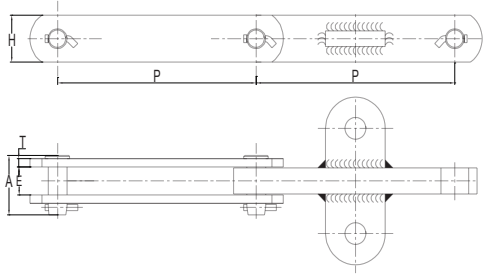
Chain No	Pitch P	Dimension								Weight KG/FT	Min. Ult Strength Q(KN)
		A	B	D	E	F	K	R	W		
907-E51	80.52	146.5	58.3	16.0	26.0	42.8	16.8	40.0	43.0	5.75	125

FORGED INTER CARRIER CHAINS

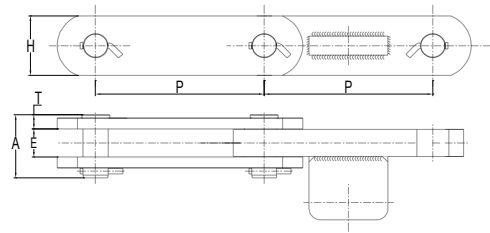


Chain No	Pitch P	Dimension								Weight KG/FT	Min. Ult Strength Q(KN)
		A	B	D	E	G	K	W	W1		
P=9"	228.6	147.0	90.0	40.2	41.0	120.0	17.0	90.0	75.0	12.46	700
P=12"	304.8	156.0	101.6	44.5	54.0	152.4	17.5	82.6	108.0	30.50	880

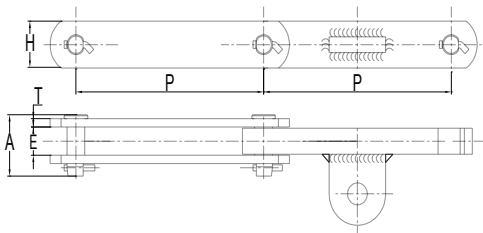
DIFFUSER CHAINS



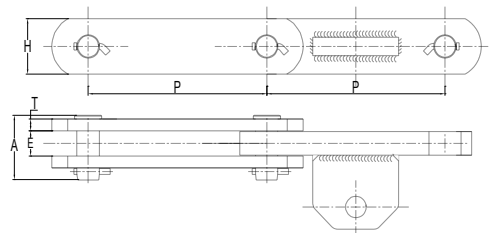
I



II



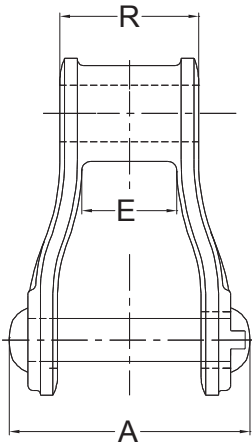
III



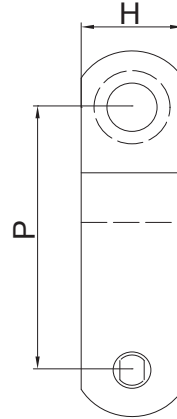
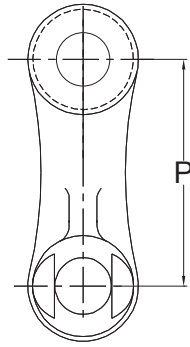
IV

Chain No	Style	Pitch P	E(mm) min	Sidebar		Pin		Bush	Weight KG/FT	Min. Ult Strength Q(KN)
				T(mm)	H(mm)	D(mm)	A(mm)	R(mm)		
Block chain P=200	I	200	27.0	8.0	45.0	19.3	57.0	25.0	2.99	175
Block chain P=200	II	200	27.0	8.0	45.0	19.3	57.0	25.0	2.83	210
Block chain P=250	III	250	34.0	16.0	75.0	31.8	87.4	38.0	8.11	600
Block chain P=300	IV	300	52.0	20.0	110.0	44.3	117.0	50.0	16.69	1350

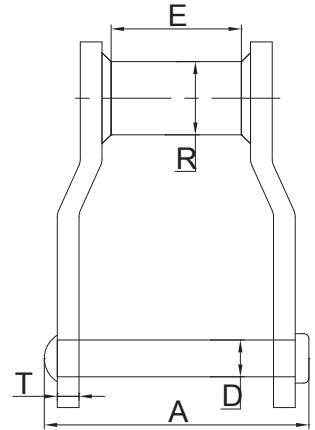
JUICE STRAINER/CUSH CUSH ELEVATOR



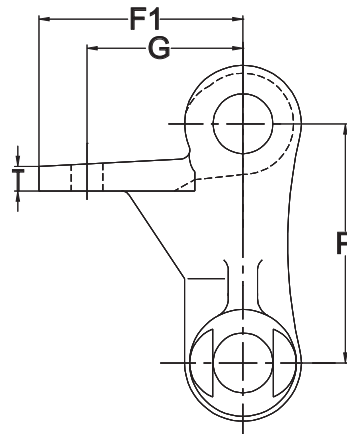
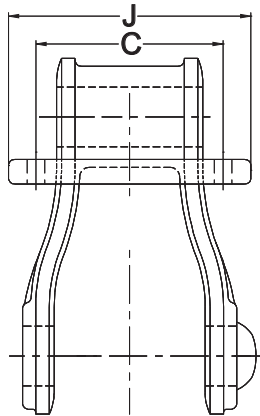
4103



WH9103HD



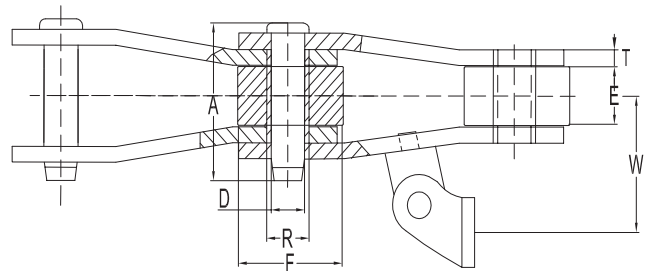
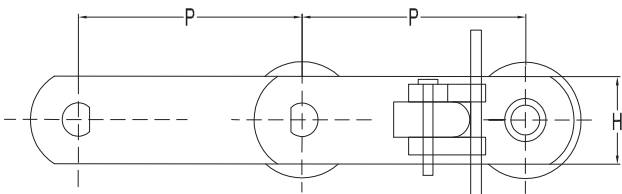
Chain No	Pitch P	E(mm) min	Pin		Bush R(mm)	Weight KG/FT	Min. Ult Strength Q(KN)
			D(mm)	A(mm)			
4103	78.11	28.4	19.1	90.5	47.8	2.5	127.4
WH9103HD	78.11	31.8	19.1	92.3	57.9	3.6	267.3



**4103 WH9103HD
F29/F30**

Chain No	Dimensions					weight
	C	J	F1	G	T	KG/FT
4103-F29	56.4	79.2	66.5	50.8	10.4	4.36
4103-F30	56.4	79.2	66.5	50.8	10.4	4.36
WH9103HD-F29	56.4	79.2	66.5	50.8	9.7	5.15
WH9103HD-F30	56.4	79.2	66.5	50.8	9.7	5.15

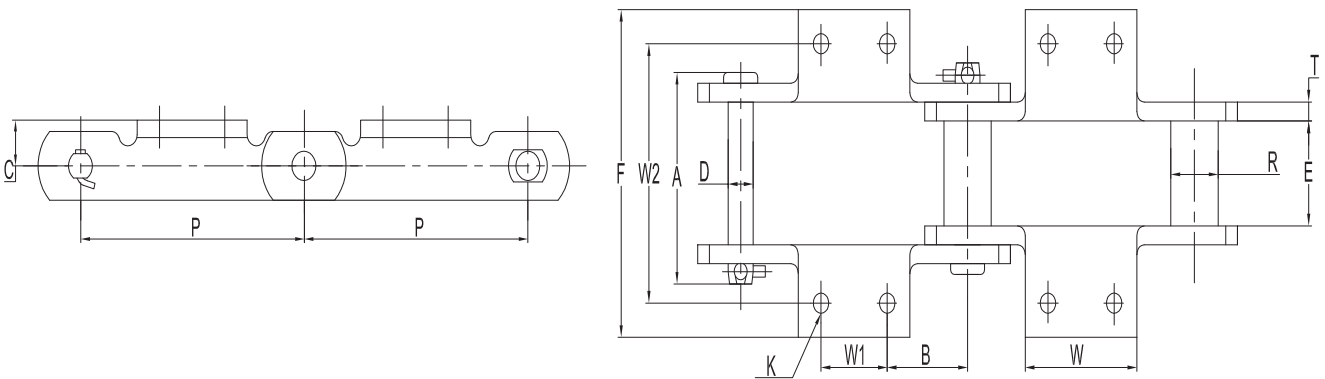
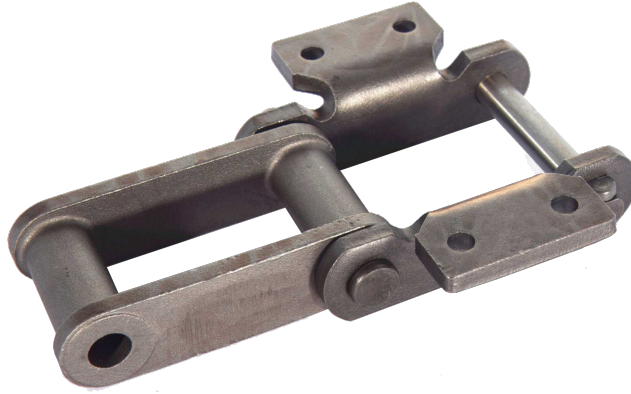
BAGASSE CONVEYOR AND ELEVATOR CHAINS



Chain No	Pitch P	E(mm) min	Sidebar		Pin		Bush	Roller	W(mm)	Average Ultimate Strength Q(KN)
			T(mm)	H(mm)	D(mm)	A(mm)	R(mm)	F(mm)		
0401	101.6	33.27	9.65	41.40	16.00	89.66	23.88	50.80	57.15	200
3135	152.4	31.75	9.65	50.80	19.05	90.68	28.70	88.90	60.45	250
2184	152.4	34.90	9.50	50.80	22.23	95.20	31.75	76.20	91.90	356
3184	152.4	35.05	9.65	60.45	22.35	109.47	31.75	76.20	65.02	380
09060	152.4	38.10	9.50	50.80	19.05	97.00	28.70	69.85	88.90	270
09061	152.4	38.10	9.65	57.15	19.05	97.00	28.70	69.85	88.90	380
09063	152.4	38.10	10.30	61.90	23.83	102.10	31.75	69.88	100.08	630
1796	152.4	38.10	9.65	57.15	22.23	99.00	31.75	69.85	88.90	450
2198	152.4	38.10	12.70	57.15	22.35	112.00	31.75	69.85	98.55	450
9184	152.4	38.10	12.70	63.50	23.88	112.80	31.75	76.20	98.43	787
9185	152.4	38.10	12.70	63.50	23.88	112.80	31.75	88.90	98.43	787
F9184	152.4	39.60	12.70	63.50	23.88	112.80	31.75	76.20	98.43	787
8184	203.2	45.97	12.70	69.85	25.40	96.77	38.10	88.90	81.79	751.5
B5509	228.6	37.85	9.65	57.15	22.23	76.45	31.75	76.20	79.25	450

Sidebar and attachment according to customers' requirements

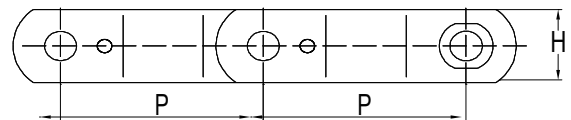
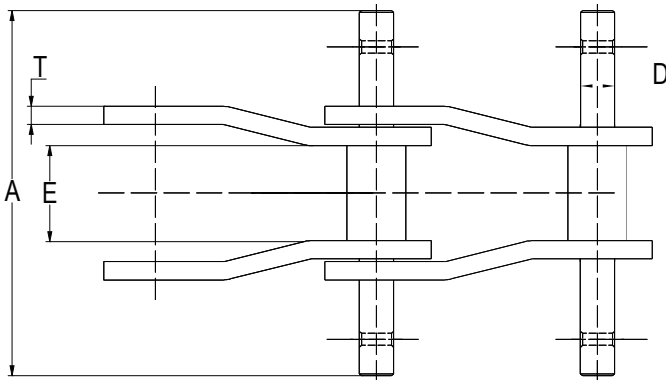
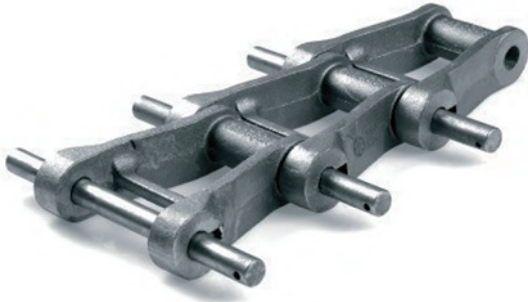
SUGAR BUCKET ELEVATORS



Chain No	Pitch P	E(mm) min	Sidebar		Pin		Bush R(mm)
			T(mm)	H(mm)	D(mm)	A(mm)	
SS102B	101.6	53.8	9.7	38.1	15.7	110.5	25.4
SS111	120.9	66.8	9.7	50.8	19.1	129.6	36.6
SS110	152.4	53.8	9.7	38.1	15.7	110.5	31.8
SS856	152.4	76.2	12.7	63.5	25.4	154.3	44.5

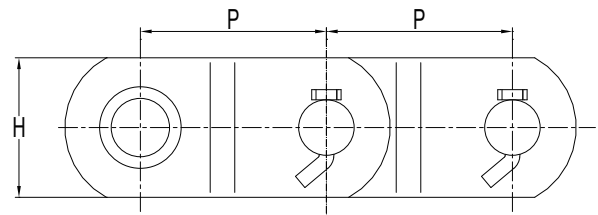
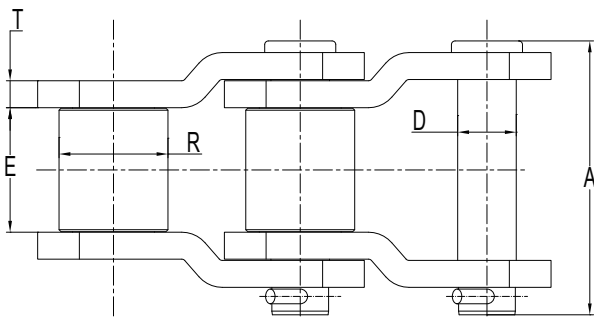
Chain No	K2								Weight Kgs/mt
	B	C	F	K	T	W	W1	W2	
SS102B	28.4	25.4	162.8	10.4	9.7	66.5	44.5	134.9	13.4
SS111	31.2	38.1	190.5	14.2	9.7	91.9	58.7	158.8	22.7
SS110	53.8	25.4	162.1	10.4	9.7	73.2	44.5	134.9	12.8
SS856	47.8	47.8	228.6	14.2	12.7	107.9	57.2	160.3	34.3

BOILER GRATE CHAINS



Chain No	Pitch P	E(mm) min	Sidebar		Pin		Weight KG/FT	Min. Ult Strength Q(KN)
			T(mm)	H(mm)	D(mm)	A(mm)		
5309	101.35	52.0	10.0	40.0	15.7	200.0	4.02	140

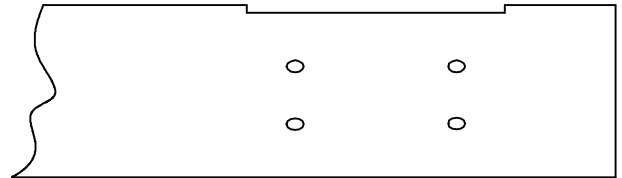
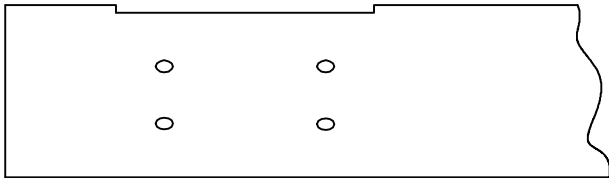
HEAVY DUTY ROTARY DRIVE CHAINS FOR PEASURE FEEDER ROLLERS



Chain No.	Pitch (mm)	E(mm)	sidebar		Pin		Bush	Average Ultimate Strength Q(KN)
	P	min	T(mm)	H(mm)	D(mm)	A(mm)	R(mm)	
1031	78.11	38.10	7.90	38.10	15.90	85.90	31.80	216.00
1032	78.11	38.10	7.90	41.10	15.90	87.10	31.80	270.00
3075	78.11	38.10	9.70	44.60	16.50	93.70	31.80	337.50
3514	88.90	38.10	12.70	57.20	22.20	112.80	44.50	630.00
1242	103.20	49.20	12.70	57.20	22.20	124.00	44.50	630.00
1245	103.45	49.30	14.20	60.50	23.80	130.00	45.20	765.00
5031	127.00	69.90	15.70	88.90	31.80	158.80	63.50	1395.00
5035	127.00	65.00	19.10	88.90	34.90	168.10	63.50	1575.00
6065	152.40	76.20	19.10	120.70	44.50	185.90	76.20	2700.00
1353	103.89	57.20	15.70	76.20	33.30	146.10	66.50	945.00
6060	152.40	82.60	22.40	127.00	44.50	204.70	88.90	2700.00
6560	165.10	82.60	22.40	127.00	44.50	204.70	88.90	2700.00



SLATS AND SCRAPER



ENQUIRY REF: _____ QUANTITY: _____

CHAIN REF: _____ ATTACHMENT: _____ STYLE(C,A,G ETC): _____

NO. OF STRANDS: _____ LENGTH: _____ THICKNESS: _____

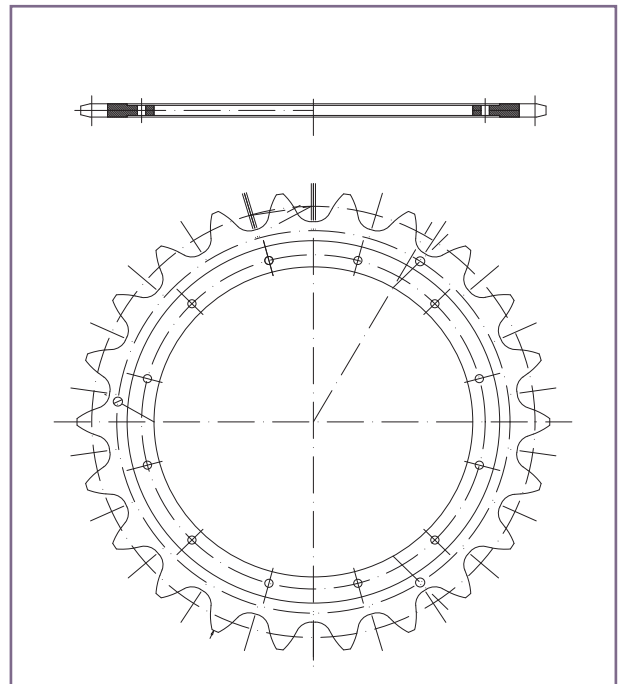
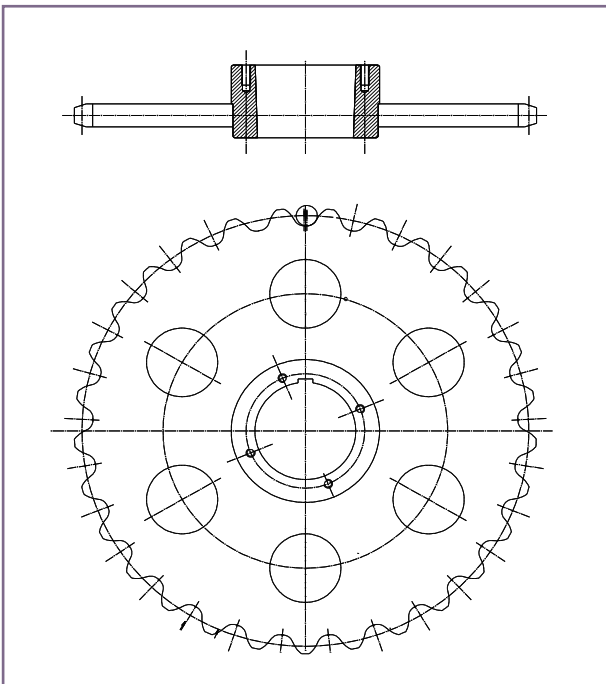
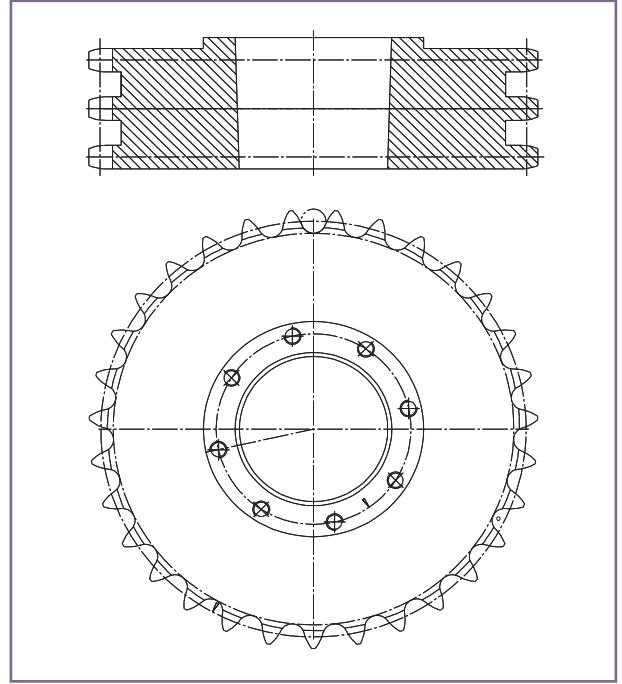
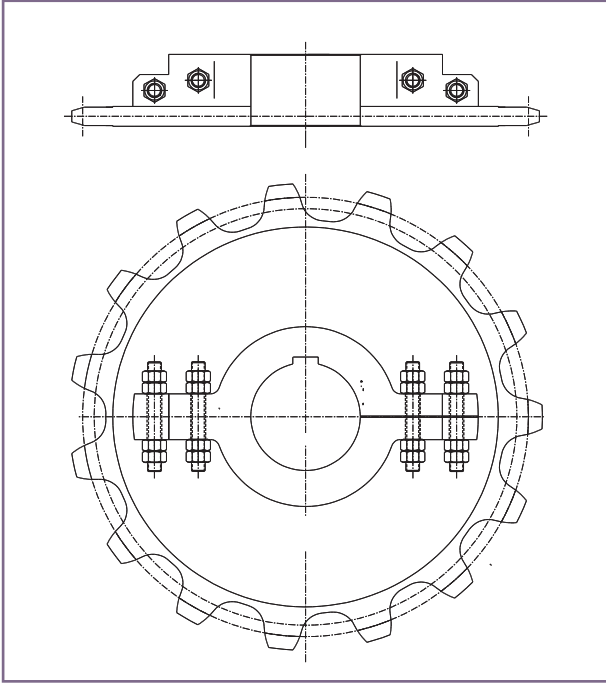
MATERIAL: _____ BOLT DIA: _____

ADDITIONAL INFORMATION: _____

_____ DRAWING No. _____

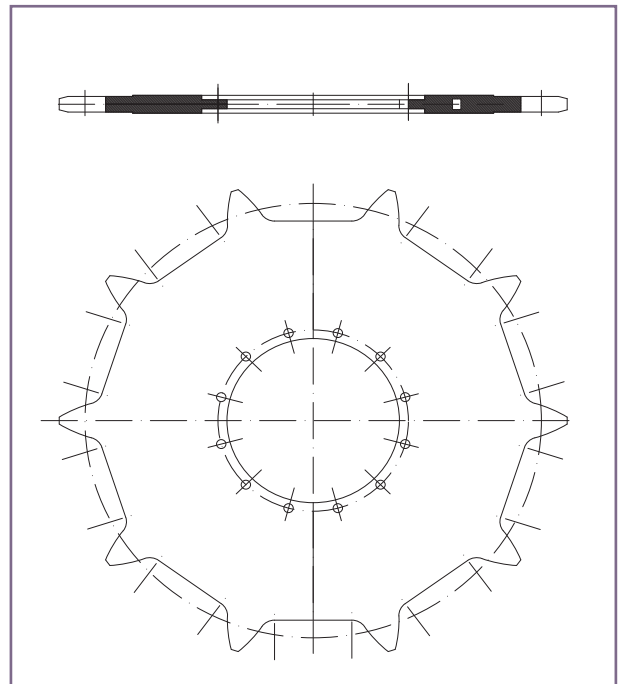
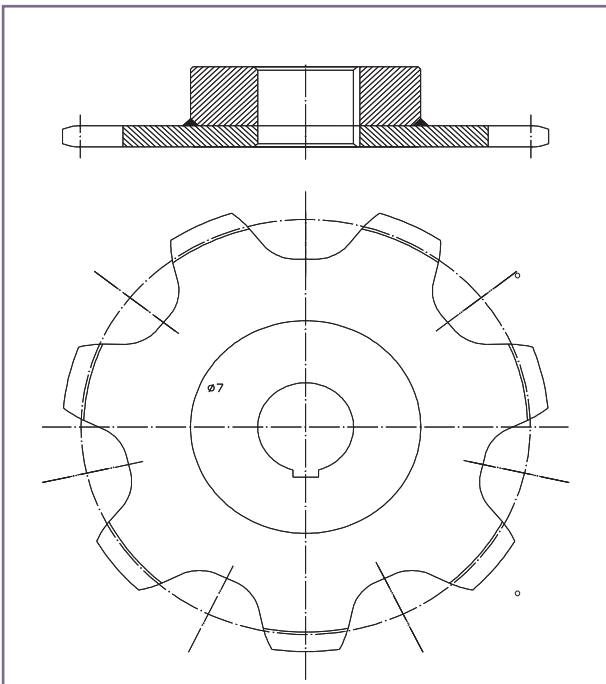
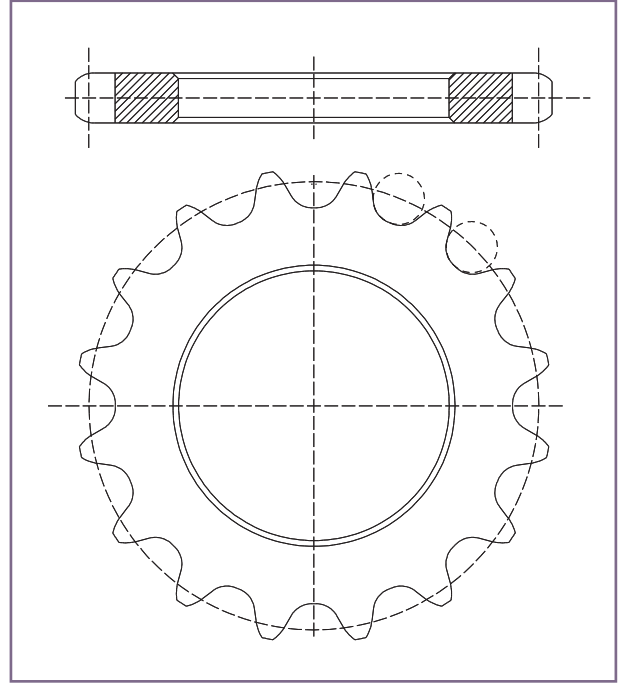
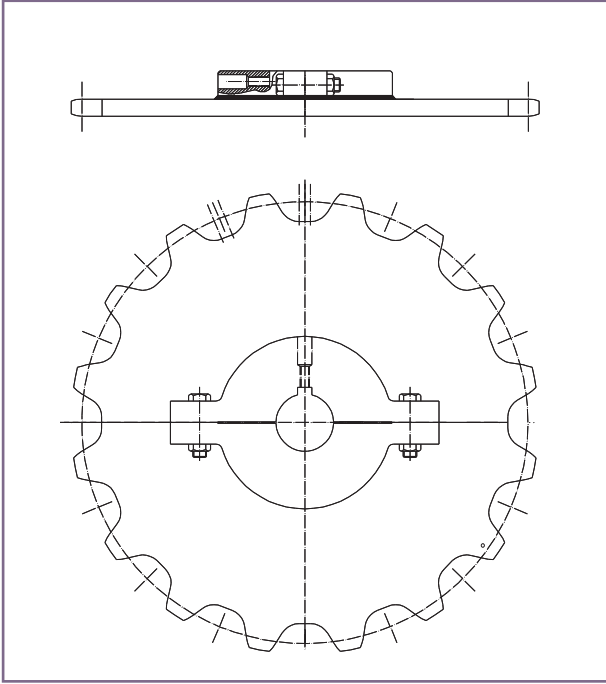


SUGAR SPROCKETS





SUGAR SPROCKETS





CARBON STEEL FOR BOILERS/JUICE HEATERS/EVAPORATORS/VAC-PANS
STAINLESS STEEL TUBES FOR JUICE HEATERS/EVAPORATORS/VAC-PANS



RANGE: 6.0MM OD to 168.3MM OD

GRADES: AISI-304, 304L, 316, 316L, 439.

STANDARDS: ASTM A-213, A-249, A-269, A-270, A-312, A-376, A-554, A-668 and A-358, A-778

ALSO DIN, IS, JS, and BRITISH STANDARDS

INFORMATION NEEDED TO QUOTE:

ITEMS		
OD (Tolerance)		
Wall (Tolerance)		
Length (Tolerance)		
Qty		
Material		
Standard		
Packing		
Test		
Certificate		
	YES	NO
HT (Annealing)		
Insider-Levelling		
Surface condition (Polishing)		
Surface condition (Pickling)		

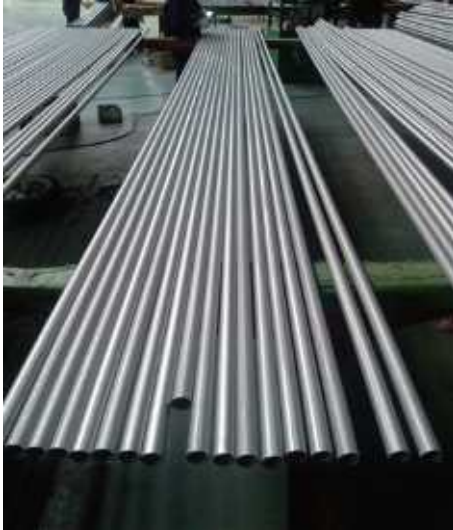


ISO9001:2015

JIANGSU JINQIU CHAIN TRANSMISSION CO., LTD

CARBON STEEL FOR BOILERS/JUICE HEATERS/EVAPORATORS/VAC-PANS

STAINLESS STEEL TUBES FOR JUICE HEATERS/EVAPORATORS/VAC-PANS



Tolerance for Stainless Steel Pipe												
ASTM A312 A778 JIS G3459												
Specification	Outside Diameter								Wall thickness		Straightness	Length
ASTM	O.D. (mm)	≤ 48.26	48.26	114.30	219.08	457.20	660.40	863.60	+22.5% -12.5%		6.4mm/6M	+50mm -0mm
			~	~	~	~	~	~				
	Tolerance (mm)	+0.4 -0.8	+0.8 -0.8	+1.6 -0.8	+2.4 -0.8	+3.2 -0.8	+4.0 -0.8	+4.8 -0.8				
JIS	O.D. (mm)	<30mm			≥30mm				W.T.	m<2m	≥2mm	≥defined length
	Tolerance (mm)	±0.30mm			±1%				Tolerance	±0.2mm	±10%	

Tolerance for Boiler and Heat-Exchanger Stainless Steel Tube						
ASTM A249 A269 JIS G3463						
Specification	Item	Outside Diameter(mm)	Wall Thickness			Length
ASTM		12.7~38.1 ±0.13	±10%			+50mm -0mm
		38.1~88.9 ±0.25				
		88.9~139.8 ±0.38				
JIS		≤60 ±0.25	O.D.	W.T.	Tolerance	≥defined length
		60~80 ±0.30				
		80~100 ±0.40	<40mm	<2mm	+0.4mm -0mm	
		100~120 ±0.40	<40mm	≥2mm	+20% -0mm	
	-0.60					
	120~160 ±0.40	≥40mm	-	+22% -0mm		
	-0.80					

JIANGSU JINQIU CHAIN TRANSMISSION CO.,LTD
www.jqchain.com



ISO9001:2015

Add:No.88 North HuangDong Rd.Huangli Town,Changzhou,Jiangsu,China.

C:+86 519 83348588 F:+86 519 83341062

Http://www.jqchain.com

Email:sales@jqchains.com