



ISO9001:2015



**CHAINS** >>>>>

**FOR PALM OIL INDUSTRY**

*JINQIU CHAIN TRANSMISSION*



## ABOUT US

### 公司简介

江苏金球链传动有限公司是全国颇具规模生产输送、传动、曳引以及各种特种、异形、非标链条的基地之一。本公司占地面积 100000 余平方米，固定资产 8000 余万元。目前已形成年产链条 300 余万米的生产能力，并具有大型冲压、冷轧、精加工、热处理等生产设备和各种检测仪器 600 余台套。公司产品远销欧洲、美国、日本、加拿大、南美洲、东南亚、非洲、中东等国家和地区。广泛应用于汽车及工程机械地面总装输送线、涂装输送线、冶金、港口、电力、粮油、建材、矿山、水泥、干燥、石油钻采、烟草、环保、林业、电子、纺织、农业、食品、蔗糖、陶瓷、工程、啤酒灌装，污水处理，沥青，棕榈等机械行业，深受广大用户好评。

本公司技术力量雄厚，生产装备齐全，工艺先进，质控完善。选用优质合金钢材和采用先进热处理工艺加工产品，并建立了全面的质量保证体系，荣获了 GB/T19001-2000 idt ISO9001:2015 认证证书。高品质的“金球”牌链条各项技术指标均符合国家标准〈GB〉、国际标准〈ISO〉，并被评为常州市知名商标、常州市名牌产品。公司本着“质量第一、用户至上”的宗旨热忱为国内外客户精心服务。

金球链条特此保证，如果发现我们的产品在原材料或工艺上有任何缺陷，此类产品一概免费，如有任何产品在交货后发现与确认图纸或样品不一致的，我司将承担退货，返工或返还已付货款给客户的责任。

Jiangsu Jinqiu Chain Transmission Co., Ltd is one of the national large-scale manufacturers who focus on conveyor, transmission, drag and various special, abnormality, non-standard chains. Our company occupies more than 100,000 square meters, and the fixed asset is more than RMB 80,000,000 . Now the annual production capabilities is over 3,000,000 meters, having more than 600 sets of stamping, cold rolling, finish machining, heat treatment production equipments and test instruments etc. Our products are exported to Europe, USA, Japan, Canada, South America, Southeast Asia, Africa, the Middle East and other countries and areas. Widely used in car plant and engineering machinery conveyor line, coating conveyor line, metallurgy, ports, electricity, grain and oil, building materials, mining, cement, drying, petroleum, tobacco, environmental protection, forestry, electronics, textile, agriculture, food, sugar, ceramics , beer filling machinery, Water treatment, Crawler asphalt, palm oil etc. win a high admiration and is widely trusted at home and abroad.

Our company has an abundant technology, completely production equipments, advanced technology and perfect detection methods. Choose high quality alloy steel and adopt advanced heat treatment, and established a comprehensive quality assurance system. It was certified with GB/T19001-2000idt ISO9001:2015 High quality "Jinqiu" brand chains are accord with the National standard<GB> and International standard<ISO> in all technology indexes. And "Jinqiu" were awarded as Changzhou Famous Brand and Changzhou Famous Brand Products. "Quality first, customers first" is our purpose, and we always give our service to domestic and foreign customers warmly and carefully.

JQ Chains hereby certify that if you found any defect in our material or technique of any kind of product, which will be free of charge; if you found any product was inconsistent with the approval drawing or sample after the delivery, we can accept the return or rework of goods and afford any charge about this.







## ABOUT US

### 公司厂房

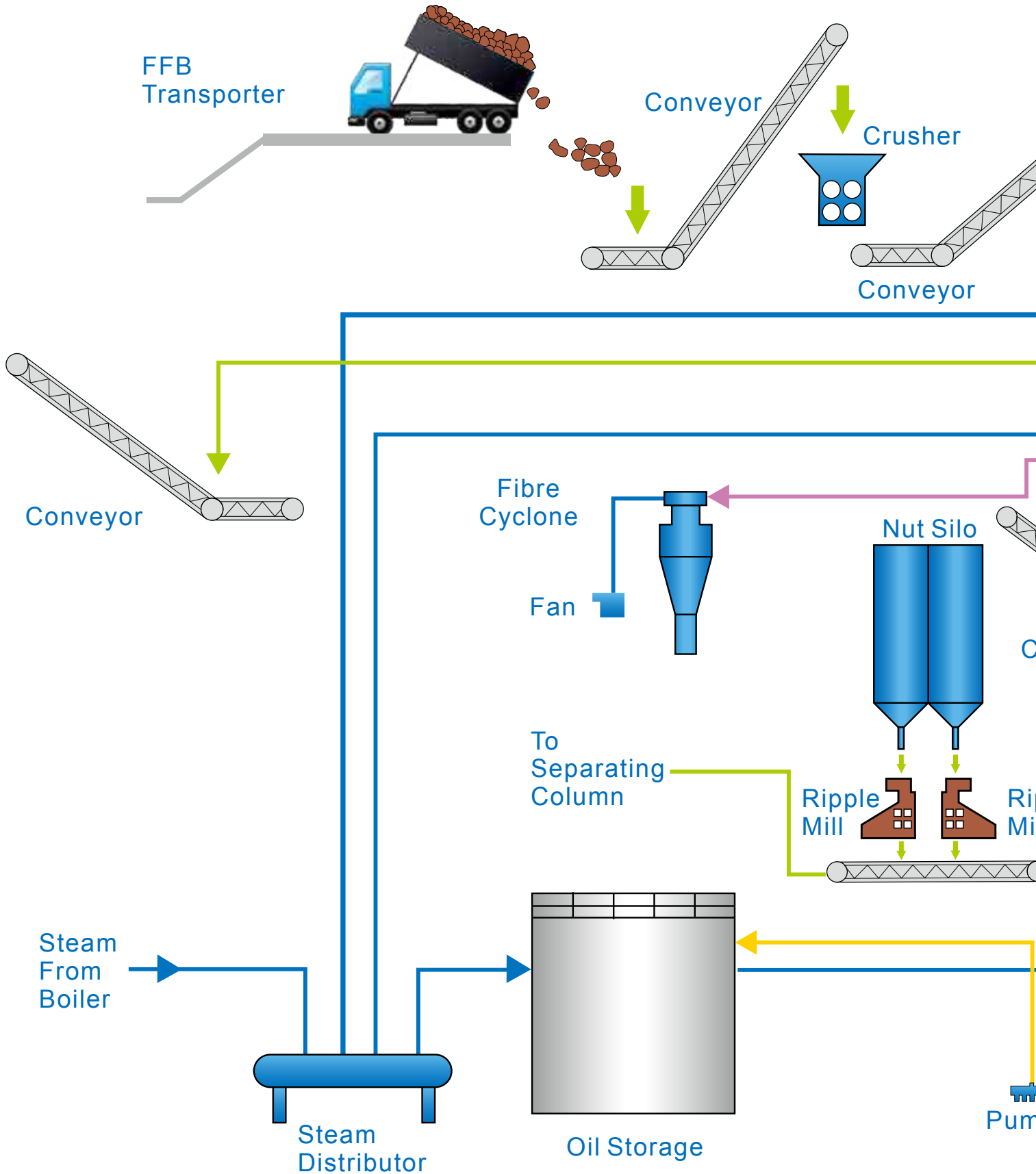




ISO9001:2015

JIANGSU JINQIU CHAIN TRANSMISSION CO., LTD

## Palm Oil Production Process Drawing

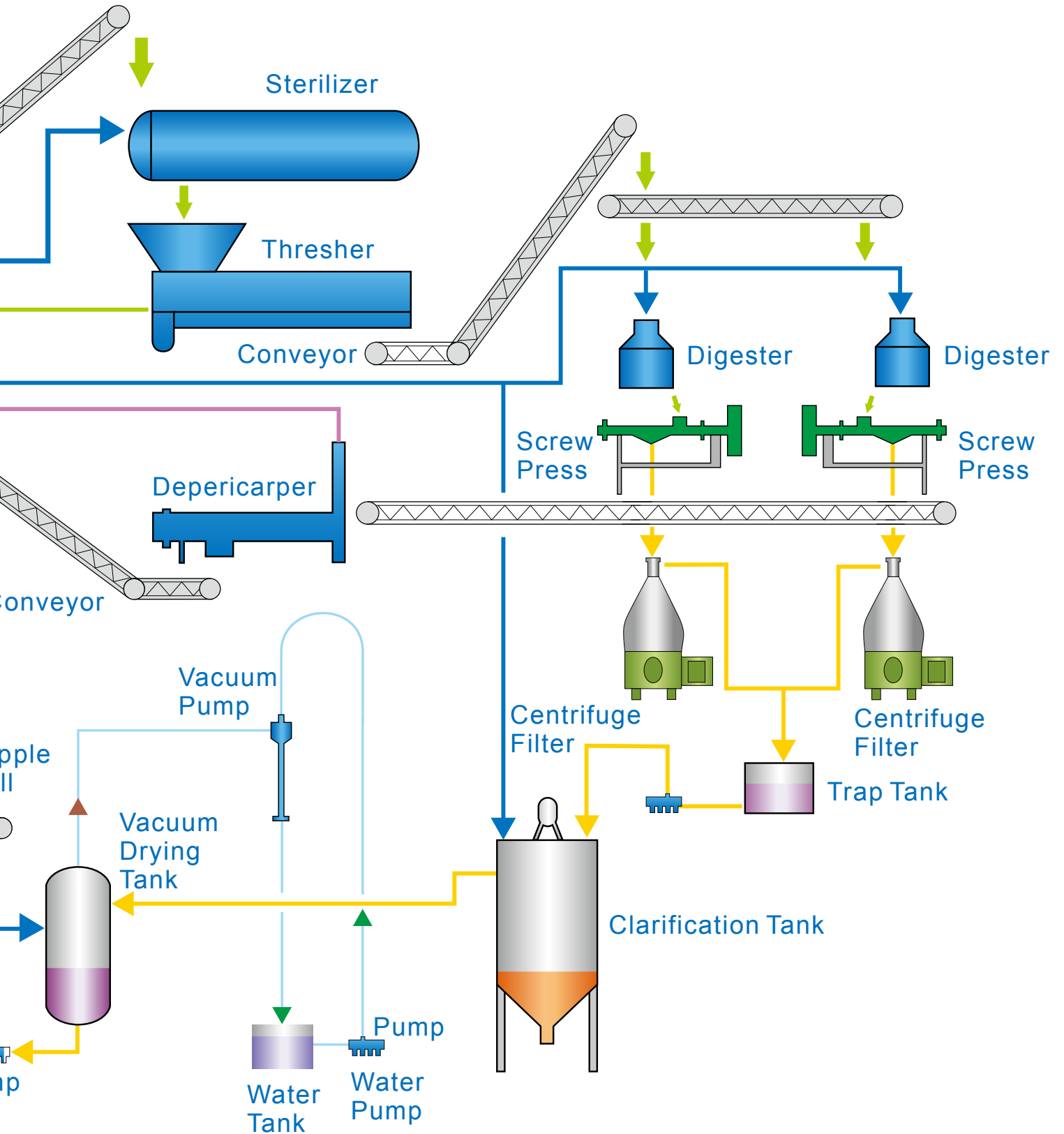




ISO9001:2015

JIANGSU JINQIU CHAIN TRANSMISSION CO., LTD

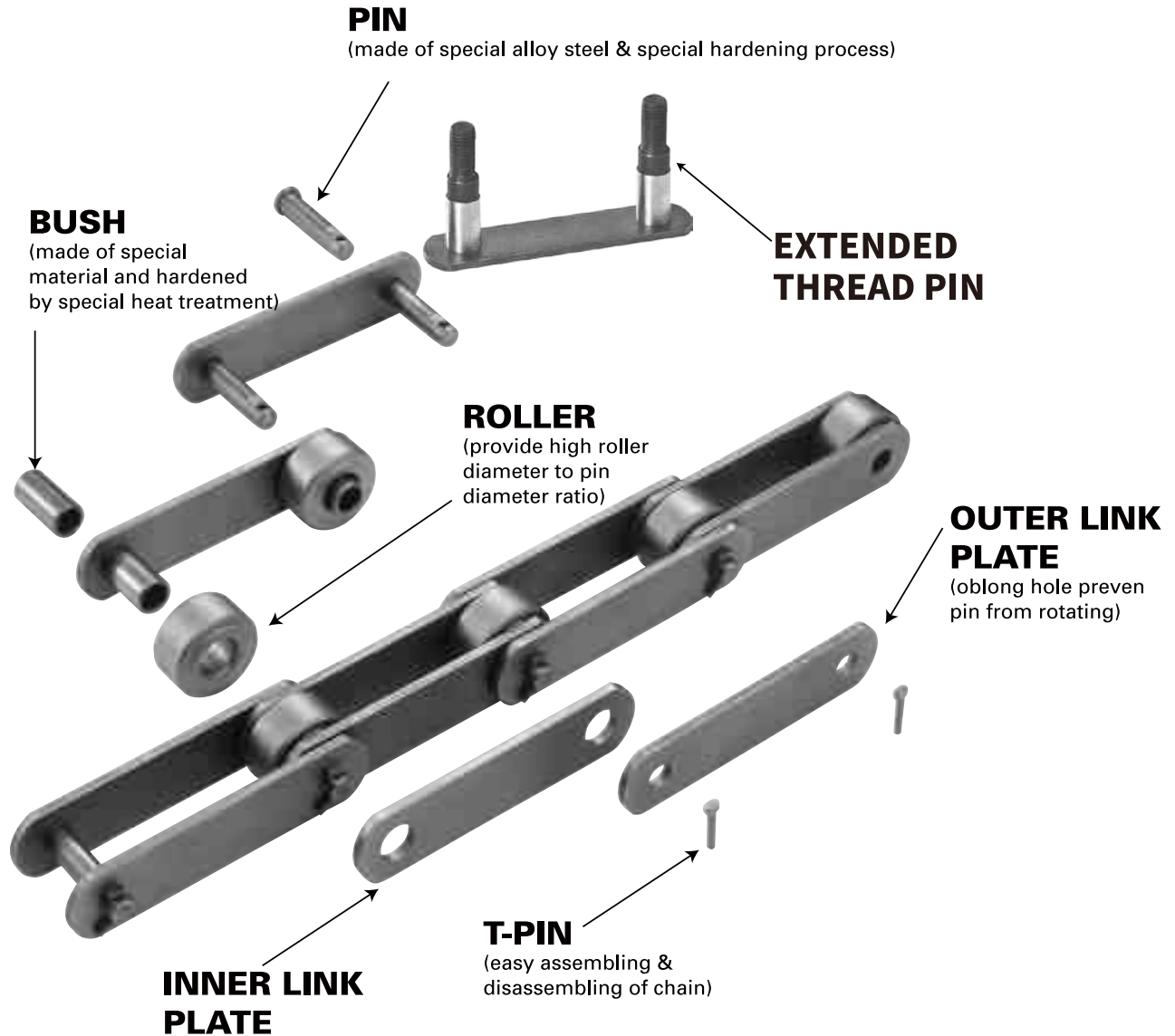
## Palm Oil Production Process Drawing





ISO9001:2015

JIANGSU JINQIU CHAIN TRANSMISSION CO., LTD



JINQIU range of palm oil mill chains are designed to meet the needs of our customers providing a suitable choice between heat treatment and materials to suit the individual operating conditions of each mill.

JINQIU has not only improved tensile strength but has ensured that the chain components remain tough and resistant to impact.





ISO9001:2015

JIANGSU JINQIU CHAIN TRANSMISSION CO., LTD



**Palm Oil Chain With K2 Attachment**



**Palm Oil Chain With Round Rivets**



**Solid Extended Pin Type Palm Oil Chain With Wear Pad**



**Solid Extended Pin Type Palm Oil Chain**



**Hollow Pin Type Palm Oil Chain**



**Heavy Duty Drive Chain**



**Each chain pack into plastic Shrink**



**Various Packing Method**

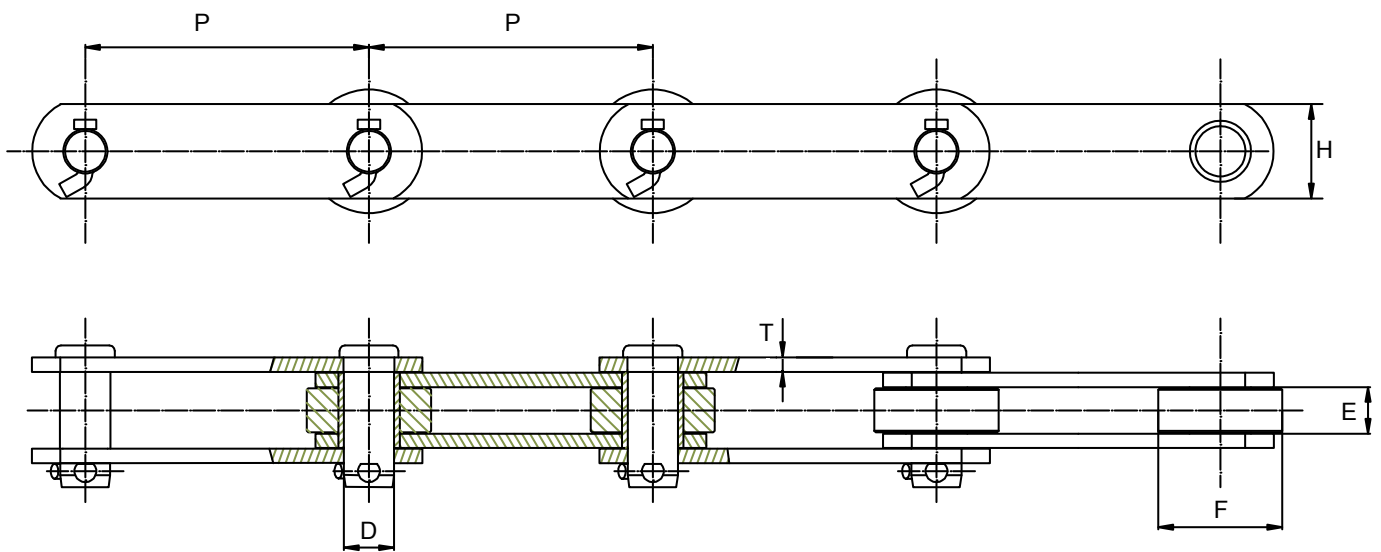




ISO9001:2015

JIANGSU JINQIU CHAIN TRANSMISSION CO., LTD

## Solid Pin Type Chain



Chain No.	Pitch P mm	Inner Width E (mm) min	Sidebar		Pin D mm	Roller diameter F (max) mm	Average Ultimate Strength Q(KN)
			T mm	H mm			
3076	76.20	17.40	4.00	25.40	13.97	31.75	71
9503	76.70	31.75	6.40	38.10	14.29	30.16	273
4075	101.60	17.40	4.00	25.40	13.97	31.75	71
5125	101.60	21.30	4.80	31.75	11.43	47.75	151
5126	101.60	26.90	6.40	28.70	11.43	44.45	151
ES90R20	101.60	21.34	4.83	31.75	11.43	47.75	174
ES94R30	101.60	29.97	6.35	38.10	14.48	50.80	263
5305	160.00	38.10	6.40	50.80	17.48	70.00	290



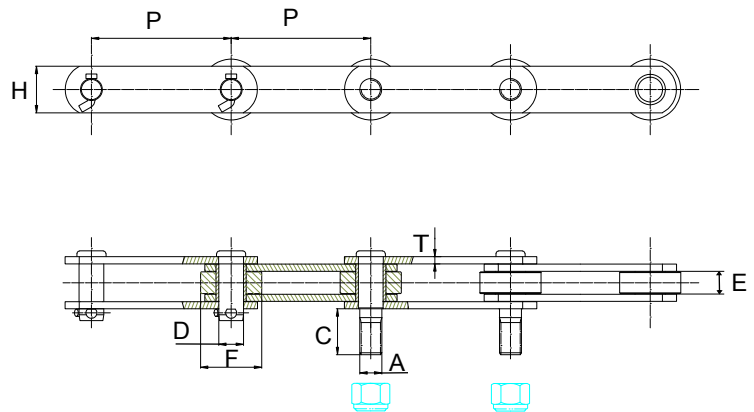


ISO9001:2015

JIANGSU JINQIU CHAIN TRANSMISSION CO., LTD



## Solid Extended Pin Type Chain



Chain No.	Pitch	Inner Width	Sidebar		Pin			Roller	Average Ultimate Strength Q(KN)
	P	E (mm) min	T (mm)	H (mm)	D (mm)	C (mm)	A (mm)	F (mm)	KN
1016H	101.60	19.00	6.40	38.10	19.05	36.00	M16	47.63	190
5289	152.40	25.00	6.40	50.80	22.07	40.00	M20	66.80	280
09060	152.40	38.10	9.50	50.80	18.90	38.00	M18	69.85	390
6889	152.40	38.10	8.90	60.96	31.75	50.00	M30	88.90	516
5305	160.00	38.10	6.40	50.80	17.48	36.00	M16	70.00	290
5326H	152.40	19.00	5.10	38.10	19.05	38.90	M18	47.50	158
POM4P32	101.60	19.05	5.10	38.10	19.05	36.00	M16	47.63	158
POM6P40	152.40	19.05	6.00	38.10	19.05	37.00	M18	47.63	178
POM6P60	152.40	25.40	6.00	50.80	22.10	40.00	M20	66.80	267
POM6P80	152.40	38.10	8.00	50.80	19.05	38.00	M18	69.85	356
ES4P23	101.60	19.00	5.10	38.10	19.05	36.00	M16	47.63	158
5337	152.40	25.00	5.10	44.50	22.07	45.00	M20	66.80	158
ES6P36	152.40	25.00	7.80	50.80	26.90	44.00	M24	66.70	318
ES604R30	152.40	30.00	6.40	38.10	14.29	36.00	M12	50.80	170
EUS4161	101.60	19.05	4.50	38.10	19.05	37.08	M18	47.63	80
EUS4162	101.60	25.40	6.40	50.80	26.90	39.88	M20	66.68	142
EUS6241	152.40	19.05	4.50	38.10	19.05	37.08	M18	47.63	80
EUS6242	152.40	25.40	6.40	50.80	26.90	39.88	M20	66.68	142
EUS6243	152.40	38.10	9.00	60.96	31.75	50.04	M30	88.90	223
EUP4161	101.60	19.05	4.50	38.10	19.05	37.08	M18	47.63	116
EUP4162	101.60	25.40	6.40	50.80	26.90	39.88	M20	66.68	223
EUP6241	152.40	19.05	4.50	38.10	19.05	37.08	M18	47.63	116
EUP6242	152.40	25.40	6.40	50.80	26.90	39.88	M20	66.68	223
EUX4161	101.60	19.05	4.50	38.10	19.05	37.08	M18	47.63	134
EXU4162	101.60	25.40	6.40	50.80	26.90	39.88	M20	66.68	267
EUX6241	152.40	19.05	4.50	38.10	19.05	37.08	M18	47.63	134
EUX6242	152.40	25.40	6.40	50.80	26.90	39.88	M20	66.68	267

Note: 4 Links/6 Links/8 Links/Every link are available  
Protect pad are available too.

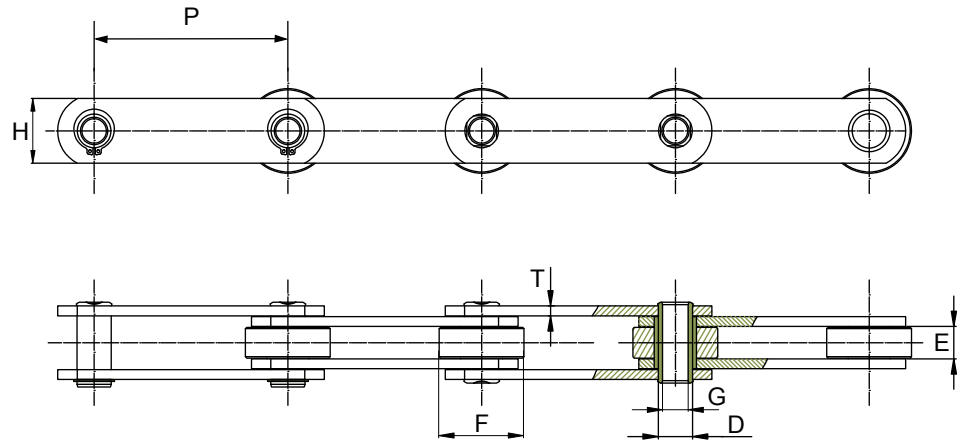


ISO9001:2015

JIANGSU JINQIU CHAIN TRANSMISSION CO., LTD



## Hollow Pin Type Chain



Chain No.	Pitch P mm	Inner Width E	Sidebar		Pin		Roller diameter F	Average Ultimate Strength Q(KN)
			T mm	H mm	D mm	Pin holes G mm		
5127	101.60	19.05	5.10	38.10	19.05	13.20	47.75	54
4P18	101.60	19.05	5.10	38.10	19.05	13.20	47.75	80
5130	101.60	25.40	6.40	50.80	26.92	20.07	66.67	160
5325	152.40	25.40	6.40	50.80	26.92	20.07	66.67	133
5328	152.40	25.40	6.40	50.80	26.92	20.07	66.67	155
6P30	152.40	25.40	7.00	50.80	26.92	20.07	66.67	169
5327	152.40	25.40	8.00	50.80	26.92	20.07	66.67	222
4161	101.60	19.05	4.50	38.10	19.05	13.20	47.62	66
4162	101.60	25.40	6.40	50.80	26.90	20.07	66.67	115
6242	152.40	25.40	6.40	50.80	26.90	20.07	66.67	115
6243	152.40	38.10	9.00	60.96	31.75	23.10	88.90	196

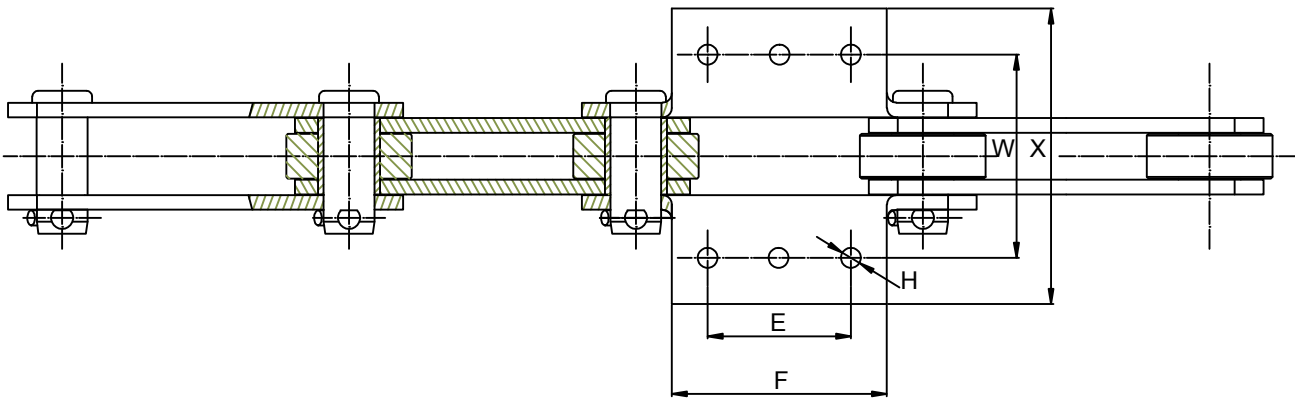
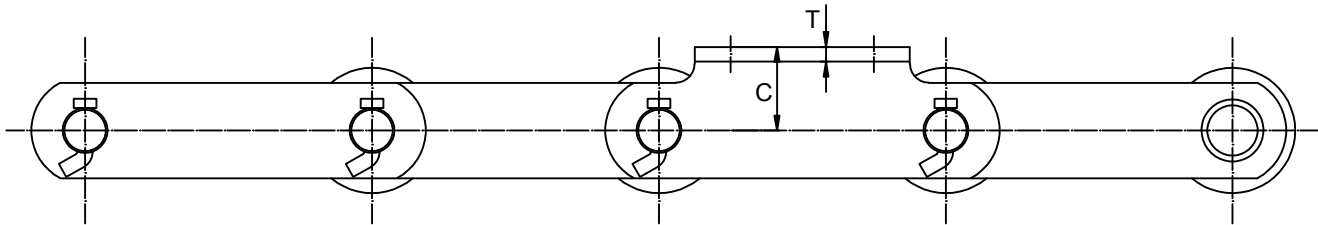


ISO9001:2015

JIANGSU JINQIU CHAIN TRANSMISSION CO., LTD



### Solid Pin Type Chain With K1/K2/K3 Att



Chain No.	K1 Attachments						Average Ultimate Strength Q(KN)
	C	F	H	T	W	X	
9503	25.40	46.00	11.09	6.40	111.30	143.00	273

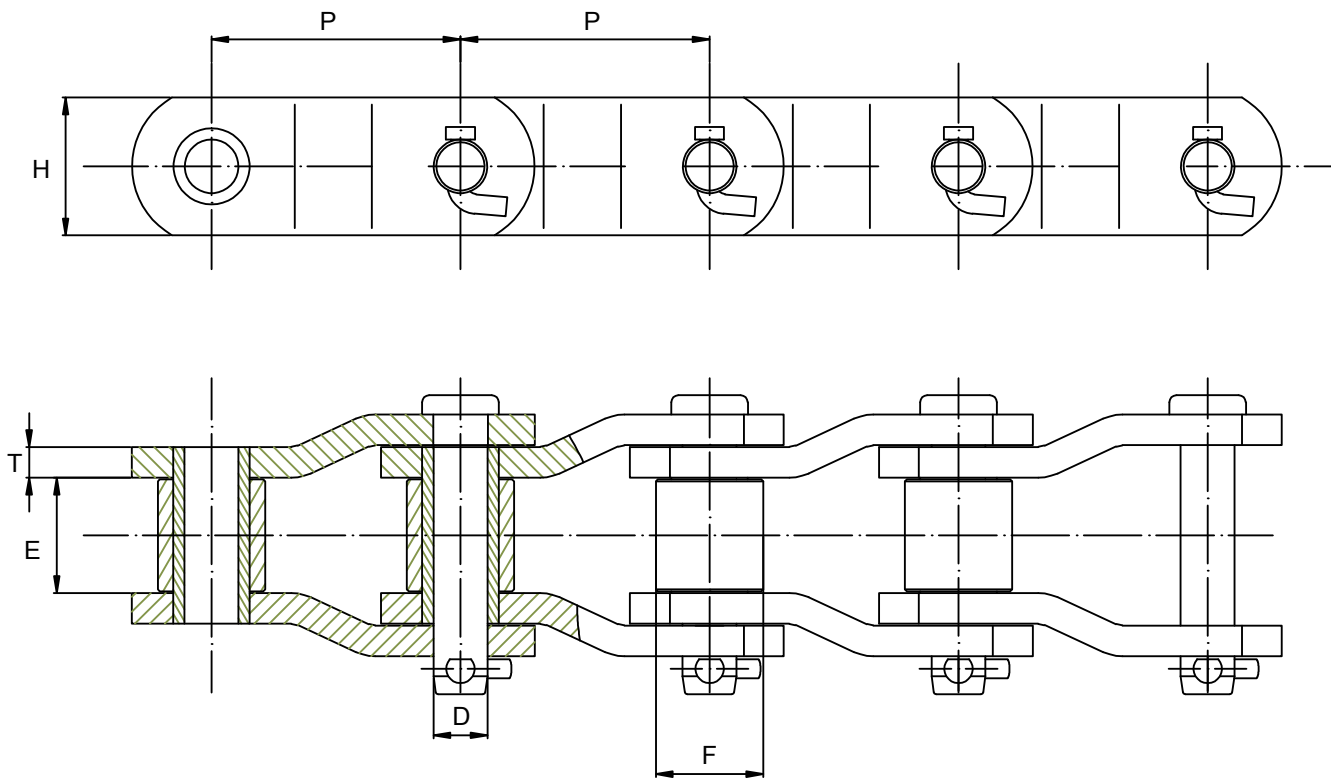
Chain No.	K2/K3 Attachments							Min Tensile Strength KN
	C	E	F	H	T	W	X	
5289	38.10	60.70	100.00	12.70	6.35	120.00	170.00	280
1016H	31.70	31.70	71.30	10.60	6.35	88.90	139.70	190





ISO9001:2015

JIANGSU JINQIU CHAIN TRANSMISSION CO., LTD



Chain No.	Pitch	Inner Width	Sidebar		Pin	Roller	Average Ultimate Strength Q(KN)
	P	E(mm) min	T(mm)	H(mm)	D(mm)	F(mm)	
EXS882	66.27	28.70	6.40	28.70	11.10	22.00	124
API13P	78.10	38.10	9.50	40.00	16.50	31.75	333
B7811	78.10	38.10	9.50	45.00	16.50	31.75	358
E238R	88.90	38.10	12.70	57.20	22.25	44.45	667
API4P	103.20	50.80	12.70	57.20	22.35	44.45	667
RX1245	103.45	49.30	14.20	60.50	23.85	45.21	756
4500A	114.30	52.30	14.20	76.20	27.90	57.15	925
EXS5027	127.00	69.85	15.90	88.90	31.75	63.50	1156

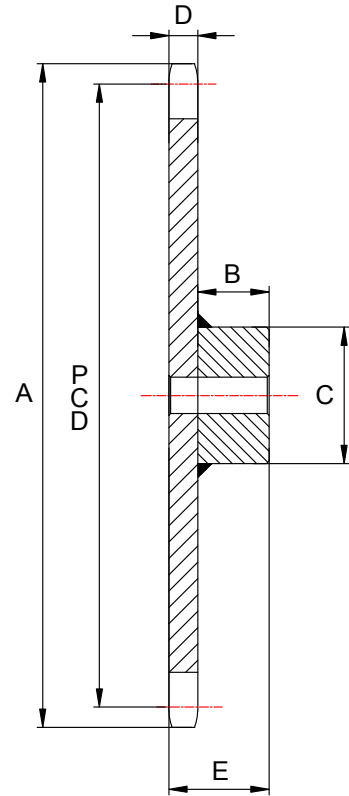


ISO9001:2015

JIANGSU JINQIU CHAIN TRANSMISSION CO., LTD



## Palm Oil Sprockets



Chain pitch	No.of teeth	Pitch Dia.PCD	A	B	C	D	E
101.60	8	265.50	289.00	45.00	110.00	17.20	75.00
101.60	10	329.00	353.00	55.00	130.00	17.20	80.00
101.60	12	391.00	415.00	55.00	140.00	17.20	80.00
101.60	16	520.00	545.00	65.00	160.00	17.20	105.00
101.60	21	684.00	710.00	70.00	170.00	17.20	115.00
152.40	8	398.00	422.00	60.00	150.00	23.00	100.00
152.40	10	492.00	515.00	70.00	165.00	23.00	105.00
152.40	12	589.00	613.00	70.00	185.00	23.00	120.00
152.40	14	682.00	710.00	80.00	195.00	23.00	125.00
152.40	16	782.00	810.00	85.00	200.00	23.00	125.00
152.40	21	1010.00	1050.00	100.00	215.00	23.00	140.00

JIANGSU JINQIU CHAIN TRANSMISSION CO.,LTD  
**www.jqchain.com**



ISO9001:2015

Add:No.88 North HuangDong Rd.Huangli Town,ChangZhou,Jiangsu,China

C:+86 519 83348588 F:+86 519 83341062

Http://www.jqchain.com

Email:sales@jqchains.com